

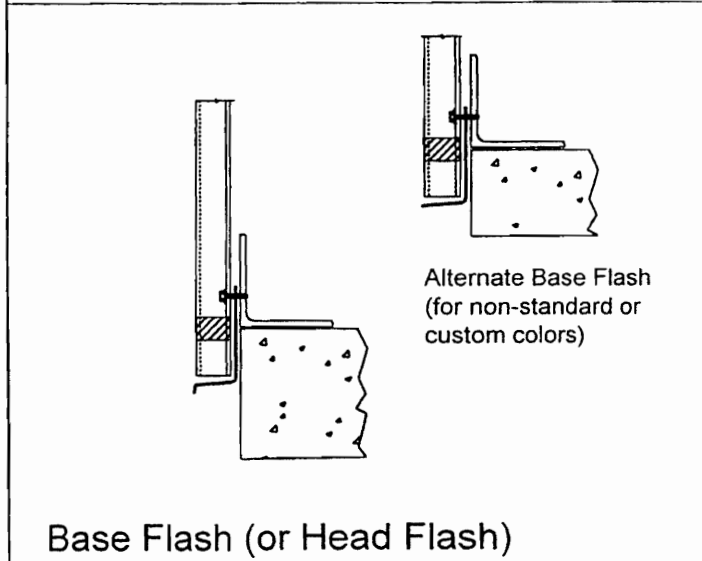
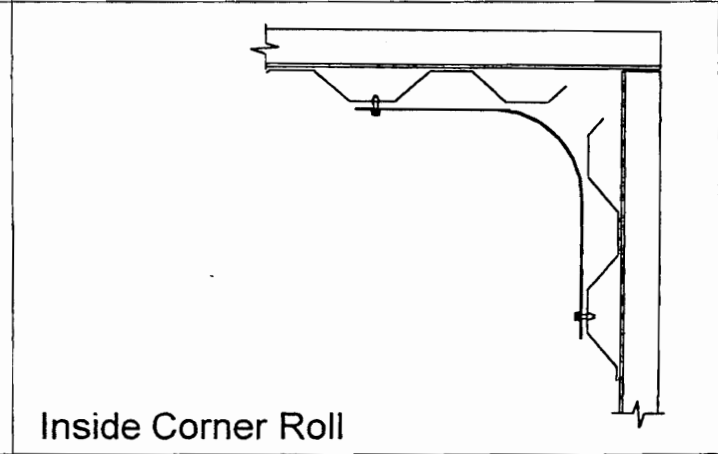
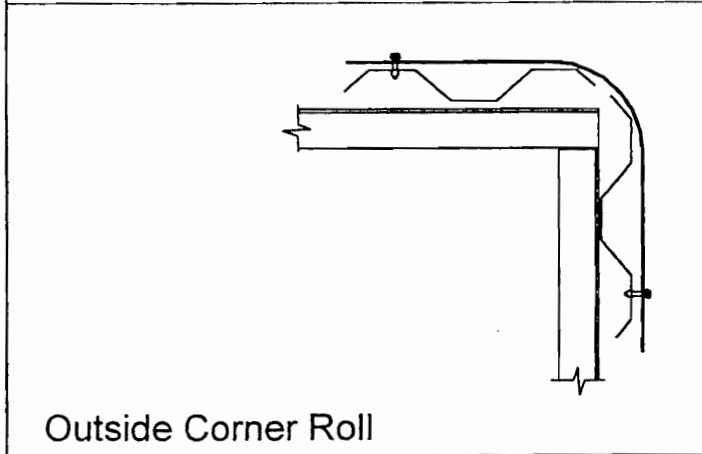
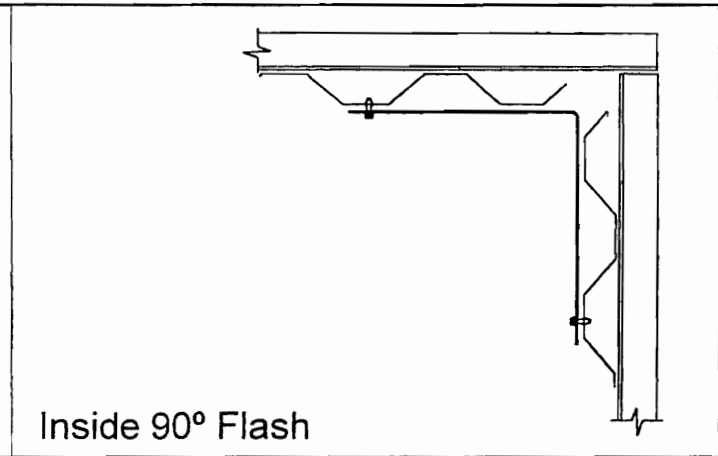
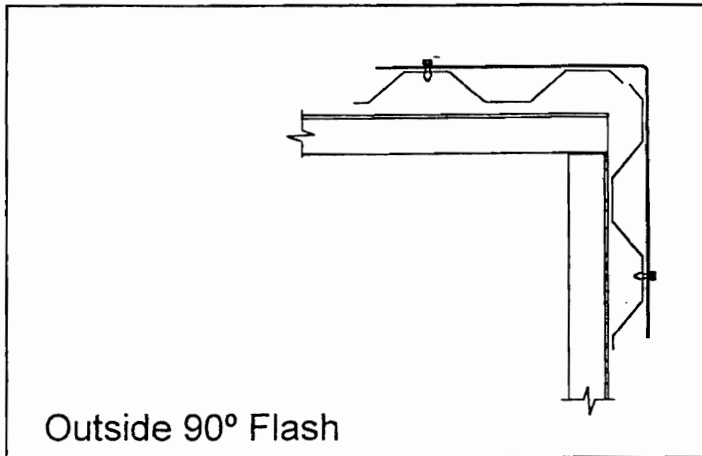


Fiberglass Reinforced Polymer Panels

285 Industrial Drive
 Moscow, TN 38057
 Ph: 888-737-6548
 Fax: 901-877-1388
 Email: sales@resolite.com

Technical Data

Standard Flashing Details



- NOTES:**
1. Standard length of all flashing is 10'0".
 2. All flashings are nominal 12 oz. per sq. ft.
 3. Flashing should be fastened a maximum of 12" on center. Use SB-2 fasteners for attaching FRP flashing to FRP panels. Provide caulking as required.
 4. All flashings are furnished with embossed exterior finish.
 5. When ordering flashing, specify degree of flashing angle (i.e. 90°, 45°, etc.).
 6. Contact Resolite Customer Service Department for availability of other flashing shapes and sizes.

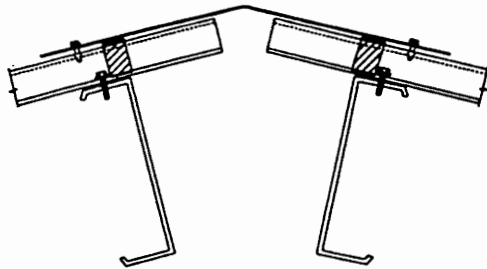


285 Industrial Drive
Moscow, TN 38057
Ph: 888-737-6548
Fax: 901-877-1388
Email: sales@resolite.com

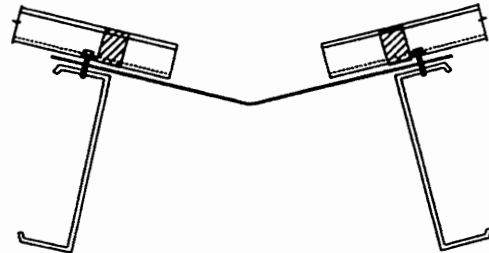
Fiberglass Reinforced Polymer Panels

Technical Data

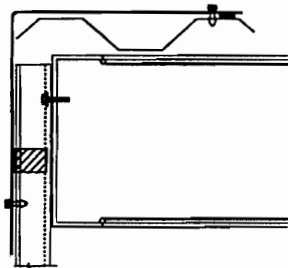
Standard Flashing Details



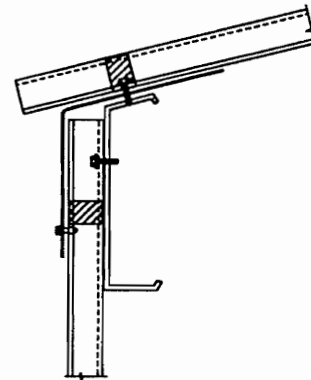
Ridge Cap



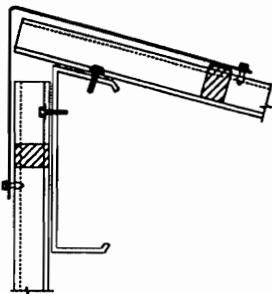
Valley Flash



Gable Flash



Eave Flash



Peak Flash

NOTES:

1. Standard length of all flashing is 10'0".
2. All flashings are nominal 12 oz. per sq. ft.
3. Flashing should be fastened a maximum of 12" on center. Use SB-2 fasteners for attaching FRP flashing to FRP panels. Provide caulking as required.
4. All flashings are furnished with embossed exterior finish.
5. When ordering flashing, specify degree of flashing angle (i.e. 90°, 45°, etc.).
6. Contact Resolite Customer Service Department for availability of other flashing shapes and sizes.

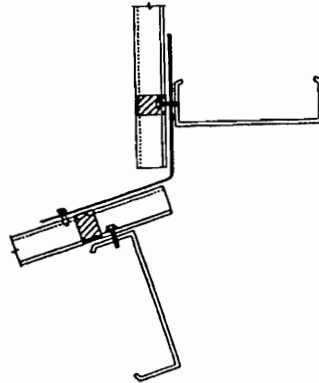


Fiberglass Reinforced Polymer Panels

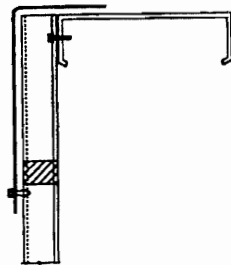
285 Industrial Drive
 Moscow, TN 38057
 Ph: 888-737-6548
 Fax: 901-877-1388
 Email: sales@resolite.com

Technical Data

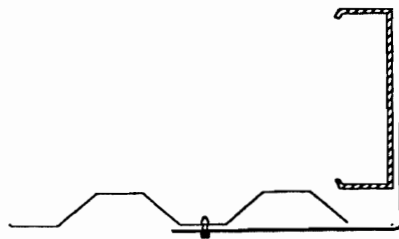
Standard Flashing Details



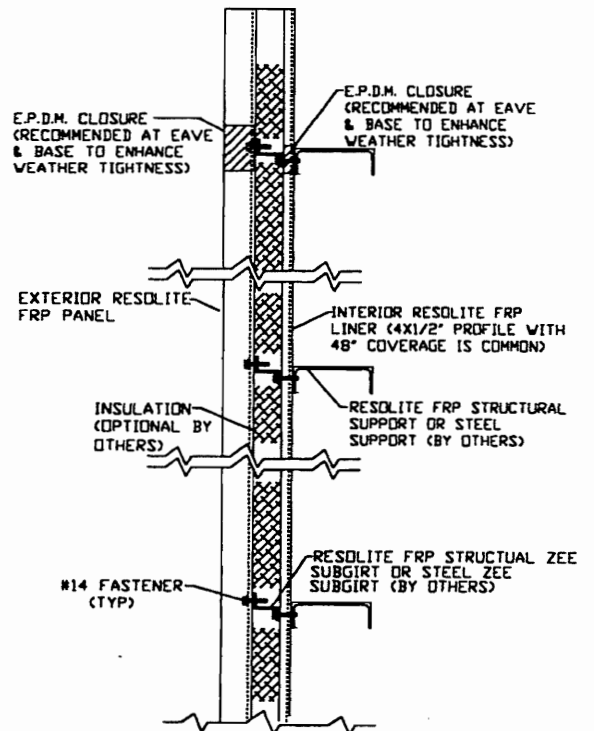
Transition (Headwall) Flash



Sill Flash



Jamb Flash



Field Insulated Double Panel Construction

NOTES:

1. Standard length of all flashing is 10'0".
2. All flashings are nominal 12 oz. per sq. ft.
3. Flashing should be fastened a maximum of 12" on center. Use SB-2 fasteners for attaching FRP flashing to FRP panels. Provide caulking as required.
4. All flashings are furnished with embossed exterior finish.
5. When ordering flashing, specify degree of flashing angle (i.e. 90°, 45°, etc.).
6. Contact Resolite Customer Service Department for availability of other flashing shapes and sizes.