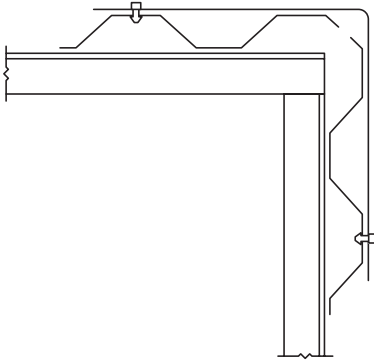
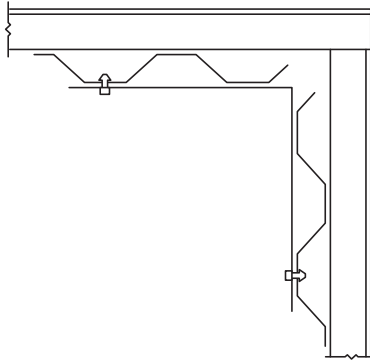


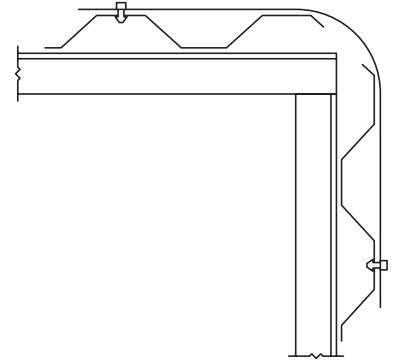
Outside 90° Flash



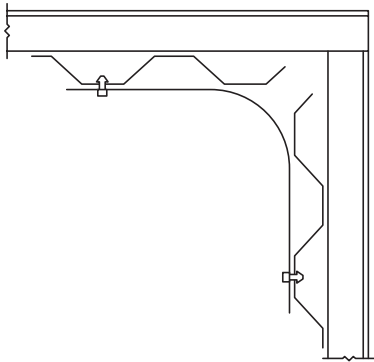
Inside 90° Flash



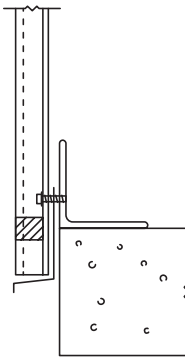
Outside Corner Roll



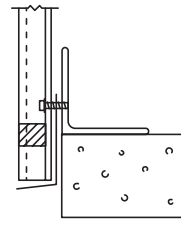
Inside Corner Roll



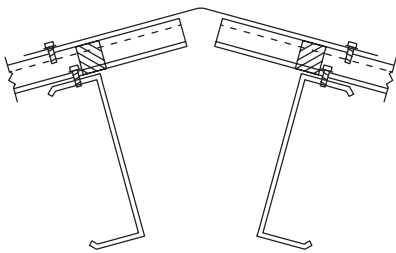
Base Flash (or Head Flash)



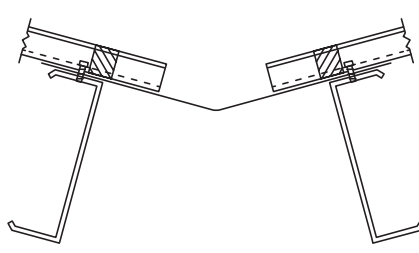
Alternate Base Flash (for non-standard or custom colors)



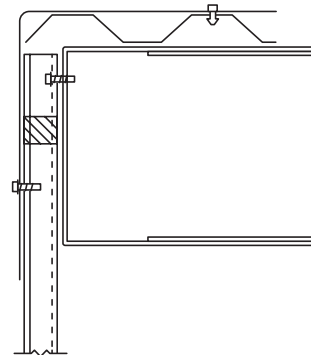
Ridge Cap



Valley Flash



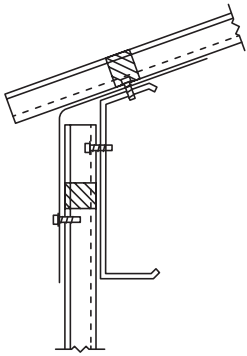
Gable Flash



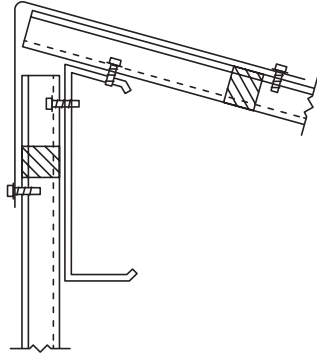
Notas

1. Standard length of all flashing is 1'0".
2. All flashings are nominal 12 oz. per sq. ft.
3. Flashing should be fastened a maximum of 12" on center. Use SB-2 fasteners fo'r attaching FRP flashing to FRP panels. Provide caulking as required.
4. All flashings are furnished with embossed exterior finish.
5. When ordering flashing, specify degree of flashing angle (i.e. 90°, 45°, etc.).
6. Contact Resolite Customer Service Department for availability of other flashing shapes and sizes.

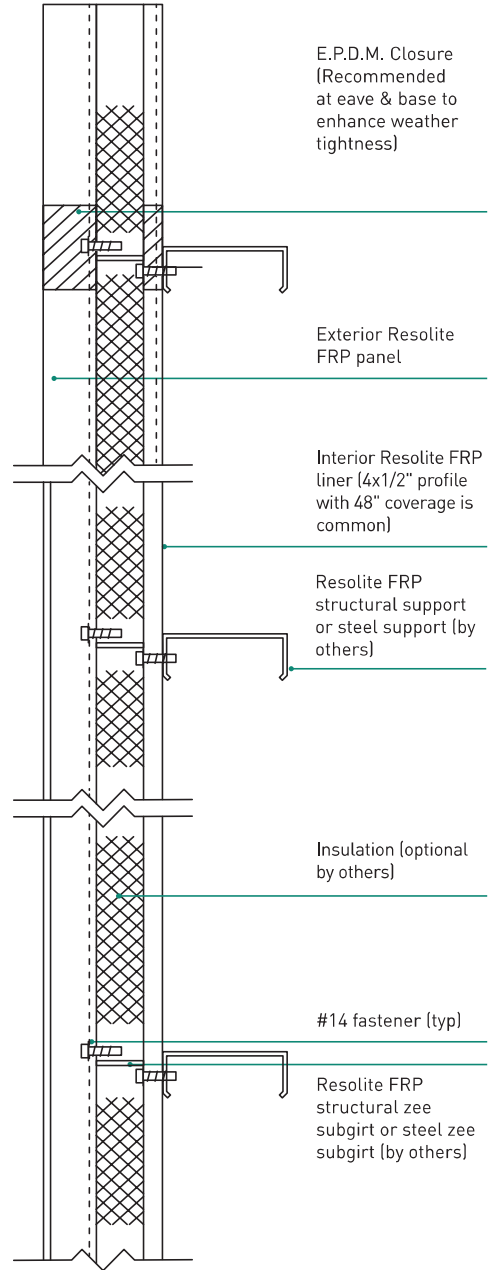
Eave Flash



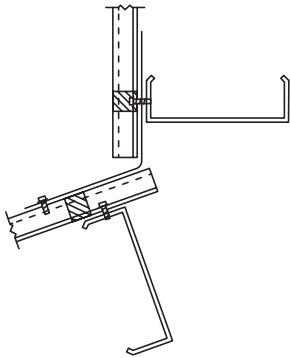
Peak Flash



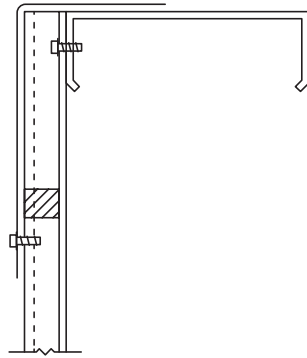
Field Insulated Double Panel Construction



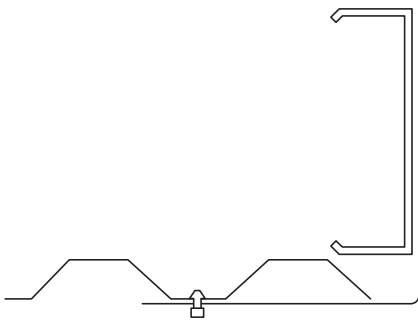
Transition (Headwall) Flash



Sill Flash



Jamb Flash



Notes

1. Standard length of all flashing is 10'0".
2. All flashings are nominal 12 oz. per sq. ft.
3. Flashing should be fastened a maximum of 12" on center. Use SB-2 fasteners for attaching FRP flashing to FRP panels. Provide caulking as required.
4. All flashings are furnished with embossed exterior finish.
5. When ordering flashing, specify degree of flashing angle (Le. 90°, 45°, etc.).
6. Contact Resolite Customer Service Department for availability of other flashing shapes and sizes.